

TECHNICAL INFORMATION OF COATINGS

FACADE CLADDINGS



Energy-efficient steel solutions for better LIVING. WORKING. MOVING.

- **Coatings**

- **PVDF matt**

- Matt colour coating recommended for normal exterior use.
 - Excellent UV radiation and stain resistance.
 - Recommended for uses where modern distinguished appearance is required and excellent colour durability is valued.
 - Metallic colours available.

- **PVDF**

- Coating recommended for normal exterior use.
 - Excellent UV radiation and stain resistance.
 - Recommended for uses where excellent colour durability is valued.
 - Metallic colours available.

- **PVDF HB**

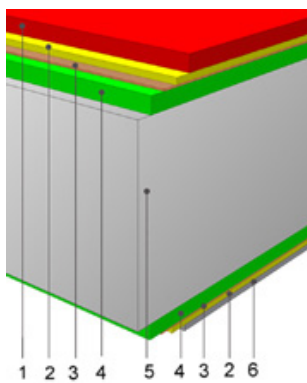
- Coating with thicker primer for very corrosive climates.
 - Recommended for the use in conditions where corrosion resistance is very important, such as marine and industrial environments.
 - Metallic colours available.

- **Powder coating matt**

- Matt powder coating recommended for normal and demanding exterior use.
 - Substrate can be either epoxy coated galvanized steel or pretreated aluminium.
 - High quality powder, UV resistance is very good.
 - Metallic and pearlescent colours available.
 - Powder coating is not available for Liberta Grande panels.

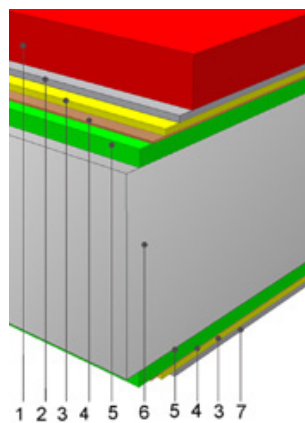
- **Coating structures**

- **PVDF coated steel**



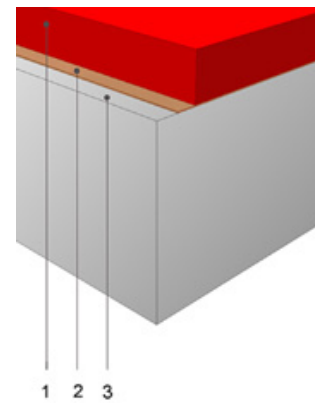
- 1) PVDF coating
 - 2) Primer
 - 3) Passivation layer
 - 4) Zinc coating
 - 5) Steel sheet
 - 6) Backing coat

- **Powder coated steel**



- 1) Powder coating
 - 2) Epoxy coating
 - 3) Primer
 - 4) Passivation layer
 - 5) Zinc coating
 - 6) Steel sheet
 - 7) Backing coat

- **Powder coated aluminium**



- 1) Powder coating
 - 2) Pretreatment
 - 3) Aluminium sheet

● **Coating properties**

Property	Coating			
	PVDF matt	PVDF	PVDF HB	Powder coating matt *
Film thickness (µm) **	27	27	40	60 - 90
Surface pattern	slightly structured	smooth	smooth	slightly structured
Gloss (Gardner 60°) **	3 - 5	35	35	10
Min. bending radius (T=sheet thickness) **	1T	1T	1T	
Lowest forming temperature (°C)	-10	-10	-10	
Highest use temperature (°C)	110	110	110	90
UV radiation resistance **	excellent / RUV4	excellent / RUV4	excellent / RUV4	very good / RUV4
Corrosion resistance / EN 12944-2 ***	very good / C3	very good / C3	excellent / C4	excellent / C4
Scratch resistance	good	good	very good	excellent
Stain resistance	excellent	excellent	excellent	good
Solvent resistance ****	very good	very good	very good	good

*) Powder coating is not available for Liberta Grande panels.

**) EN 10169

***) If climate is C5, contact sales or technical support.

****) White spirit / mineral spirit, rubbing with a smooth cloth

**Energy-efficient steel
solutions for better living,
working and moving.**

RUUKKI

Rautaruukki Corporation, Suolakivenkatu 1, FI-00810 Helsinki, Finland, +358 20 5911, www.ruukki.com

Copyright© 2012 Rautaruukki Corporation. All rights reserved. Ruukki, Rautaruukki, Living. Working. Moving. and Ruukki's product names are trademarks or registered trademarks of Rautaruukki Corporation